

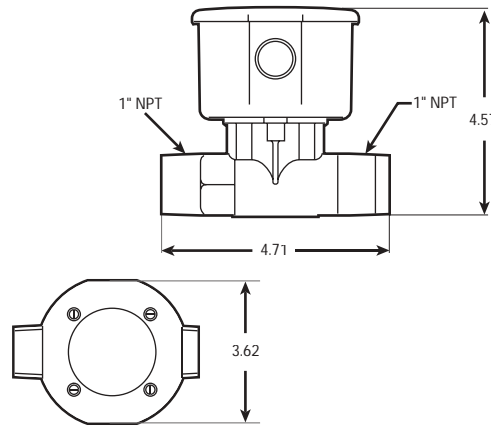
Temperature Controls

Weathertight

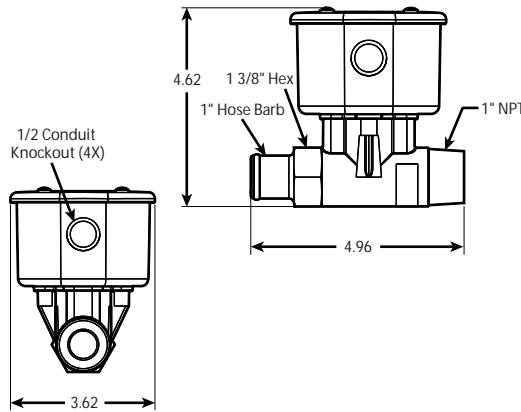
NOTE: When using a Kim-Stat above 277 volt or on 3 phase applications, select the proper control box with transformer and contactor as shown on pages 31 or 32.



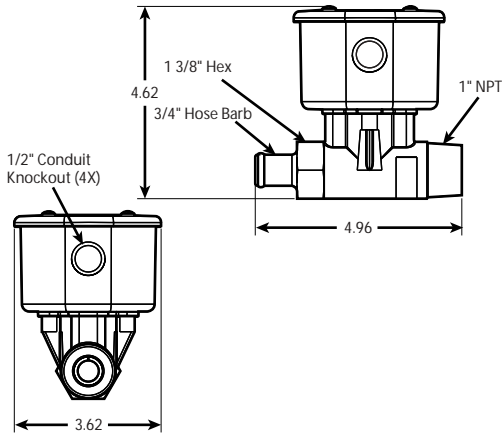
Fixed Setting



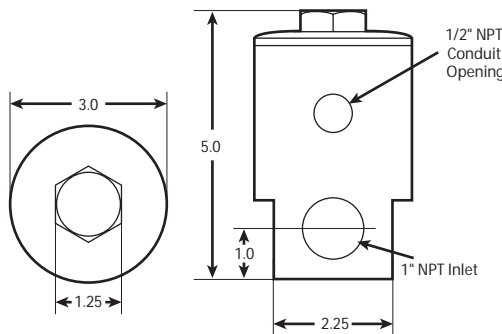
1" NPT x 1" NPT CONDUIT TYPE ENCLOSURE				
Part Number	Temp. Setting		Maximum Capacity Ratings	
	On	Off	120/240Volt	277 Volt
TFTC6-1NPT	60°F	80°F	25 amps	22 amps
TFTC8-1NPT	80°F	100°F	25 amps	22 amps
TFTC10-1NPT	100°F	120°F	25 amps	22 amps
TFTC12-1NPT	120°F	140°F	25 amps	22 amps
TFTC14-1NPT	140°F	160°F	25 amps	22 amps



1" NPT x 1" HOSE BARB CONDUIT TYPE ENCLOSURE				
Part Number	Temp. Setting		Maximum Capacity Ratings	
	On	Off	120/240Volt	277 Volt
TFTC6-1HB	60°F	80°F	25 amps	22 amps
TFTC8-1HB	80°F	100°F	25 amps	22 amps
TFTC10-1HB	100°F	120°F	25 amps	22 amps
TFTC12-1HB	120°F	140°F	25 amps	22 amps
TFTC14-1HB	140°F	160°F	25 amps	22 amps



1" NPT x 3/4" HOSE BARB CONDUIT TYPE ENCLOSURE				
Part Number	Temp. Setting		Maximum Capacity Ratings	
	On	Off	120/240Volt	277 Volt
TFTC6-3HB	60°F	80°F	25 amps	22 amps
TFTC8-3HB	80°F	100°F	25 amps	22 amps
TFTC10-3HB	100°F	120°F	25 amps	22 amps
TFTC12-3HB	120°F	140°F	25 amps	22 amps
TFTC14-3HB	140°F	160°F	25 amps	22 amps

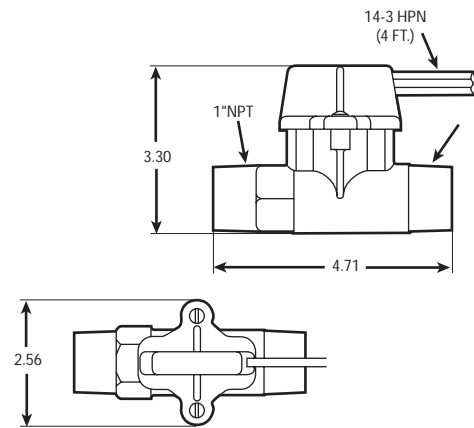


CLASS 1, GROUP D CONDUIT TYPE ENCLOSURE				
Part Number	Temp. Setting		Maximum Capacity Ratings	
	On	Off	120/240Volt	277 Volt
TFT6ER	60°F	80°F	25 amps	22 amps
TFT8ER	80°F	100°F	25 amps	22 amps
TFT10ER	100°F	120°F	25 amps	22 amps
TFT12ER	120°F	140°F	25 amps	22 amps
TFT14ER	140°F	160°F	25 amps	22 amps

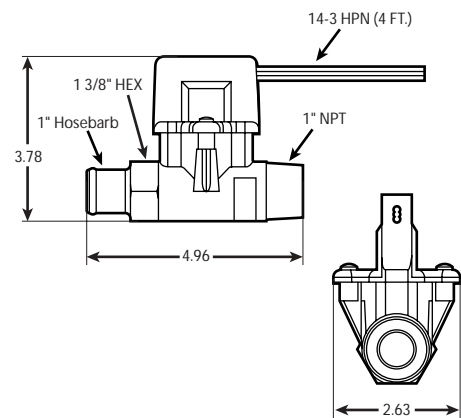
Temperature Controls

Weathertight

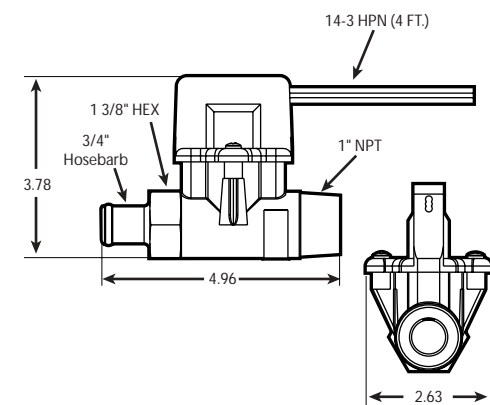
NOTE: When using a Kim-Stat above 277 volt or on 3 phase applications, select the proper control box with transformer and contactor as shown on pages 31 or 32.



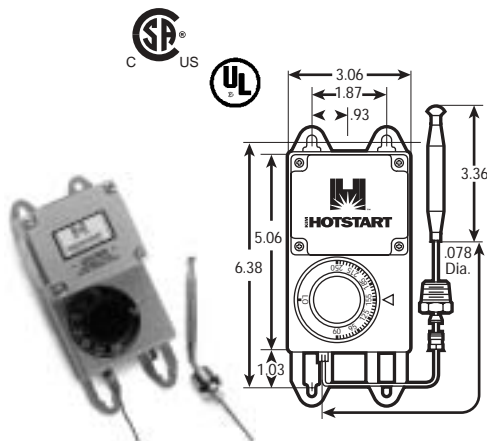
1" NPT x 1" NPT CORD TYPE ENCLOSURE				
Part Number	Temp. Setting		Maximum Capacity Ratings	
	On	Off	120/240 Volt	277 Volt
TFT6-1NPT	60°F	80°F	25 amps	22 amps
TFT8-1NPT	80°F	100°F	25 amps	22 amps
TFT10-1NPT	100°F	120°F	25 amps	22 amps
TFT12-1NPT	120°F	140°F	25 amps	22 amps
TFT14-1NPT	140°F	160°F	25 amps	22 amps



1" NPT x 1" HOSE BARB CORD TYPE ENCLOSURE				
Part Number	Temp. Setting		Maximum Capacity Ratings	
	On	Off	120/240 Volt	277 Volt
TFT6-1HB	60°F	80°F	25 amps	22 amps
TFT8-1HB	80°F	100°F	25 amps	22 amps
TFT10-1HB	100°F	120°F	25 amps	22 amps
TFT12-1HB	120°F	140°F	25 amps	22 amps
TFT14-1HB	140°F	160°F	25 amps	22 amps



1" NPT x 3/4" HOSE BARB CORD TYPE ENCLOSURE				
Part Number	Temp. Setting		Maximum Capacity Ratings	
	On	Off	120/240 Volt	277 Volt
TFT6-3HB	60°F	80°F	25 amps	22 amps
TFT8-3HB	80°F	100°F	25 amps	22 amps
TFT10-3HB	100°F	120°F	25 amps	22 amps
TFT12-3HB	120°F	140°F	25 amps	22 amps
TFT14-3HB	140°F	160°F	25 amps	22 amps



REMOTE-MOUNT ADJUSTABLE With 60" Capillary Probe	
Part Number	Adjustable Range 65°F to 250° (Open or Off Setting) Differential 7°F (Close or On Setting)
AT6525	Maximum Capacity Ratings 120/240 Volt – 25 Amps 277 Volt – 22 Amps
ATW Aluminum Protective Well for AT6525	.5 inch NPT

Temperature Controls

Adjustable Thermostat

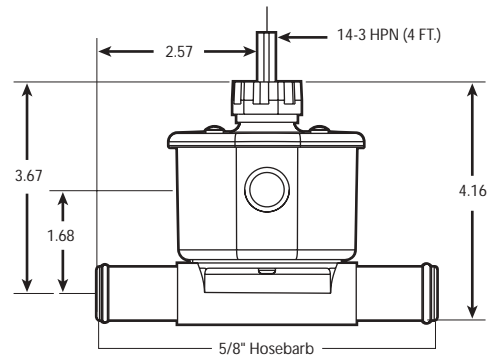
Reduce engine heater cycle time in both warm and cold ambient temperatures.

Kim Hotstart now offers an adjustable thermostat as an option on weathertight engine preheaters and as a stand-alone unit. Control your optimum desired temperature with Kim Hotstart's adjustable thermostat.

- Adjustable from 90°F to 130°F.
- Stock one thermostat to fit all needs.
- 5/8" hose barb or 1" NPT thread connections allow for easy in-line installations on a variety of heating units.
- Watertight enclosure.
- Rated up to 480 volts.



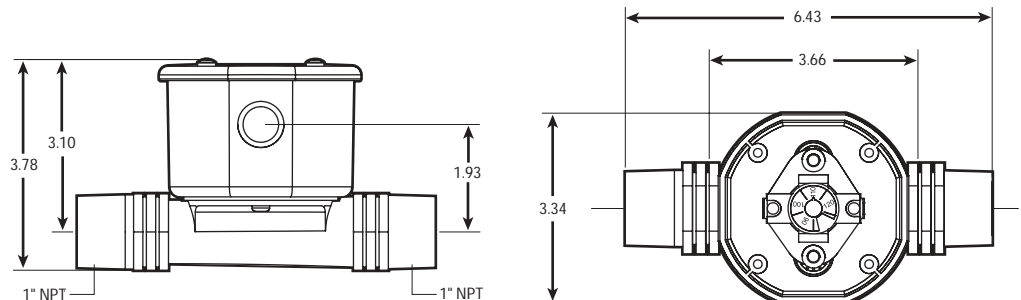
Cord Type



Conduit Type Model Number	Type Plumbing Connections	Cord Type Model Number
TFTCA-1NPT TFTCA-5/8HB	1" NPT X 1" NPT 5/8" HB X 5/8" HB	TFTA-1NPT TFTA-5/8HB

Adjustable Range	Electrical Rating
90°F to 130°F (Open or Off Setting) Differential 20°F (Close or On Setting)	120/240 Volt — 25 Amps 277 Volt — 22Amps 480 Volt — 12.5 Amps

Conduit Type



Temperature Controls

lube oil heaters

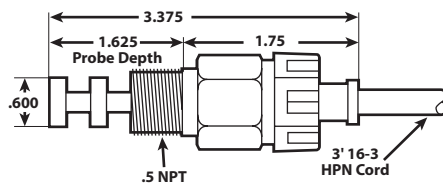
Lube oil temperature controls hold lube oil at the desired temperature.

If the heater is energized while the engine is hot or running, Kim Hotstart recommends using thermostats with all lube oil heaters to protect the oil from overheating.

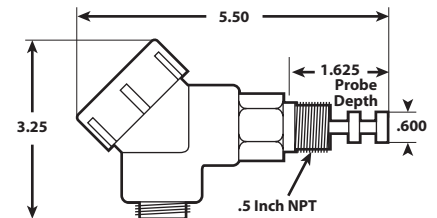
The sensing unit can be changed without draining the sump.



Weathertight Model Number	Class I, Group D Model Number	Temp. Range		Thread Size	Switch Capacity
		On	Off		
DIT68	DIT68EP	60°F	80°F	1/2" N.P.T.	120v - 15 amps
DIT810	DIT810EP	80°F	100°F	1/2" N.P.T.	208v - 10 amps
DIT1012	DIT1012EP	100°F	120°F	1/2" N.P.T.	240v - 10 amps
DIT1214	DIT1214EP	120°F	140°F	1/2" N.P.T.	277v - 10 amps
					12v DC } Pilot Duty Only 24v DC }



Weathertight Model Dimensions



Class 1, Group Model Dimensions



Weathertight

Furnished with a 3 ft. 16/3 HPN power cord.



Class I, Group D Hazardous Location

Furnished with 18" of lead wire for connection to the power leads in an approved splice box.